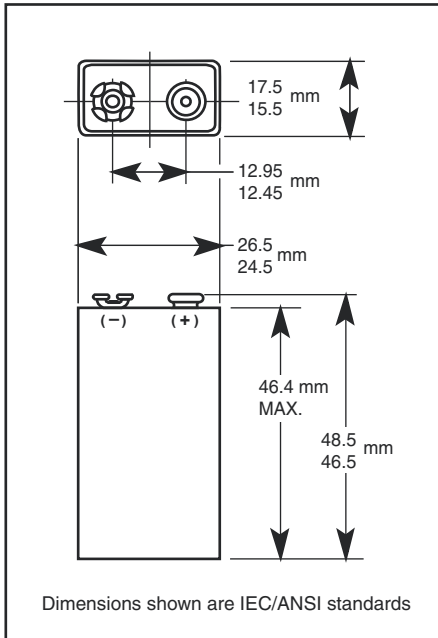
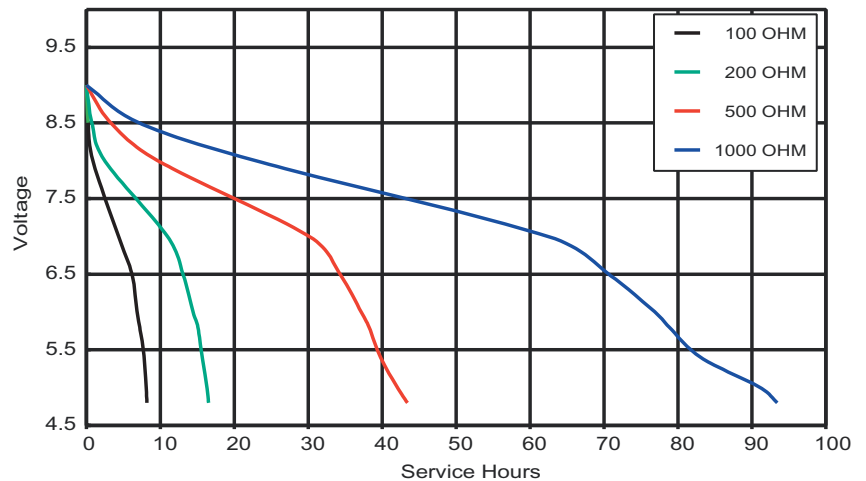




| | |
|-------------------------------------|--|
| Nominal Voltage: | 9 V |
| Operating Voltage: | 9.6 - 4.8 V |
| Impedance: | 1,700 m-ohm @ 1kHz |
| Typical Weight: | 45 gm (1.6 oz.) |
| Typical Volume: | 22.8 cm ³ (1.4 in. ³) |
| Terminals: | Miniature Snap |
| Storage Temperature Range: | -20°C to 35°C |
| Operating Temperature Range: | -20°C to 54°C (-4°F to 130°F) |
| ANSI: | 1604A |
| IEC: | 6LR61 |



TYPICAL DISCHARGE CHARACTERISTICS AT 21°C (70°F)

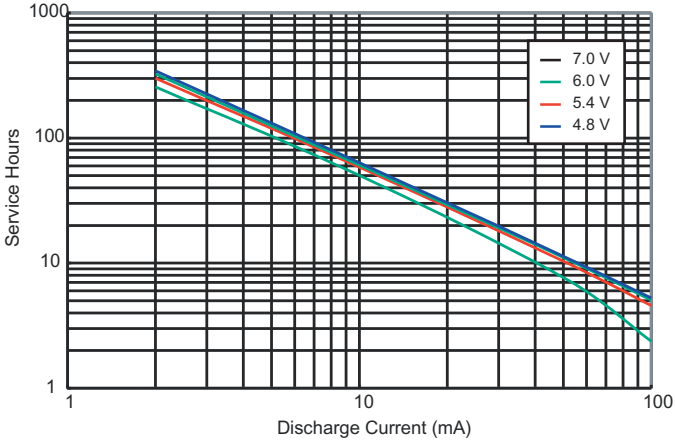


DURACELL® BATTERIES

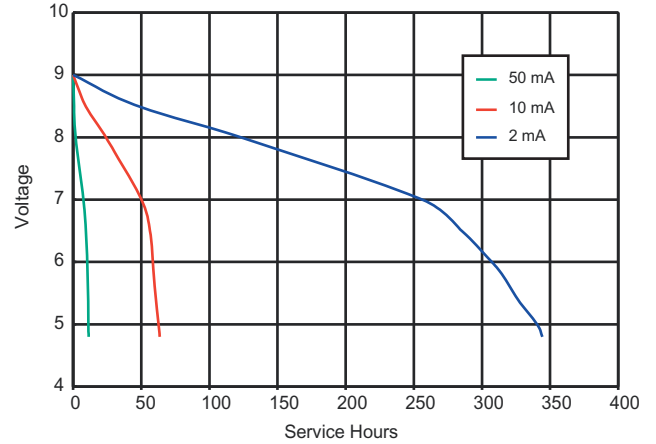
Berkshire Corporate Park
Bethel, CT 06801 U.S.A.
Telephone: Toll-free 1-800-544-5454
Internet: www.duracell.com

* Delivered capacity is dependent on the applied load, operating temperature and cut-off voltage. Please refer to the charts and discharge data shown for examples of the energy / service life that the battery will provide for various load conditions.

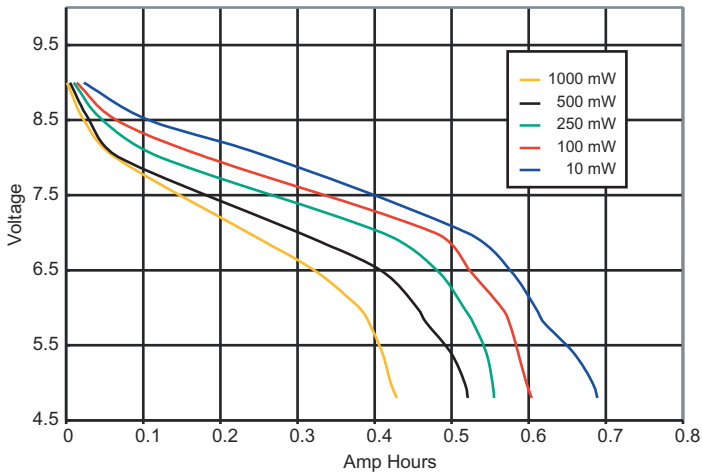
TYPICAL CONSTANT CURRENT DISCHARGE CHARACTERISTICS AT 21°C (70°F)



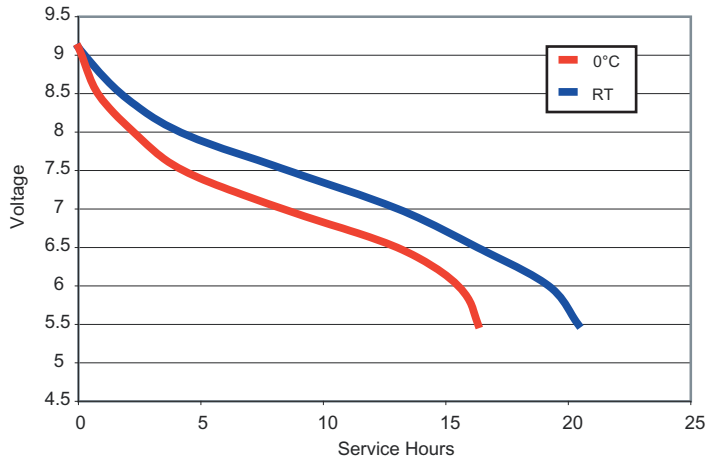
TYPICAL DISCHARGE CHARACTERISTICS AT 21°C (70°F)



TYPICAL DISCHARGE CHARACTERISTICS AT 21°C (70°F)



TYPICAL TOY TEST AT 21°C AND 0°C



DURACELL®
BATTERIES

Berkshire Corporate Park
Bethel, CT 06801 U.S.A.
Telephone: Toll-free 1-800-544-5454
Internet: www.duracell.com

* Delivered capacity is dependent on the applied load, operating temperature and cut-off voltage. Please refer to the charts and discharge data shown for examples of the energy / service life that the battery will provide for various load conditions.